



Vibration and Shock Isolation Systems for Large Stamping Presses

*Your Best Way to Install and Level Heavy
Presses for Effective Vibration and Noise Control*



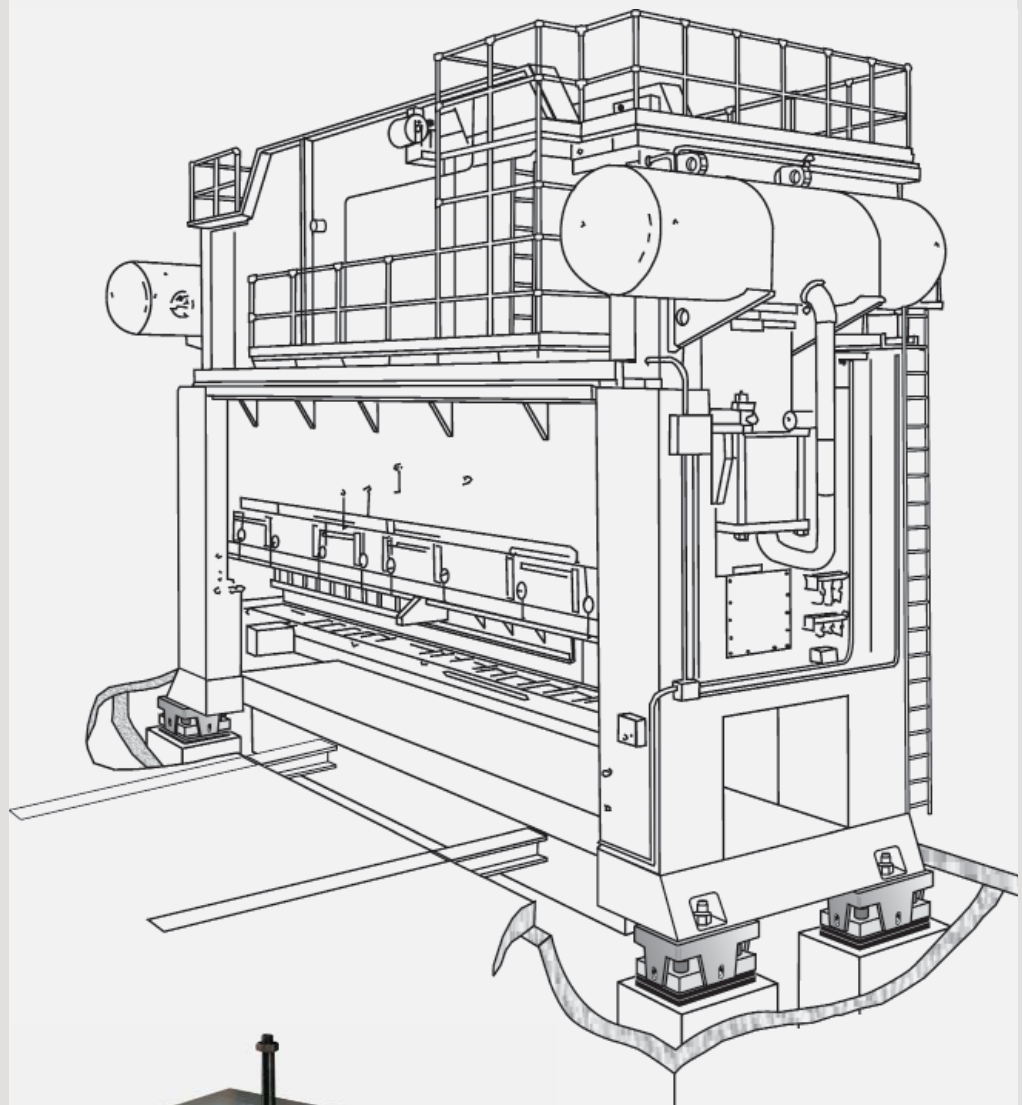
SVX™ Viscous Damped
Spring Mounts



MXL™ and MXLP™
Elastomer Isolators

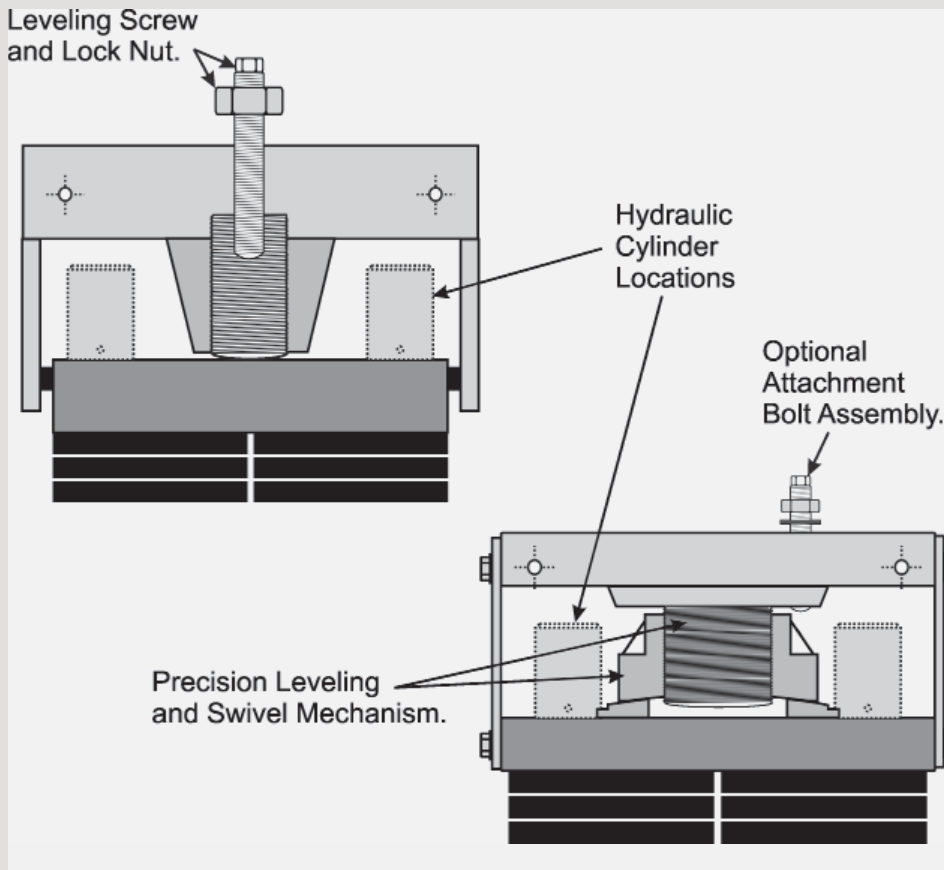


MXBP™ Press
Isolation Elements



MXBN™ Press
Isolation Elements

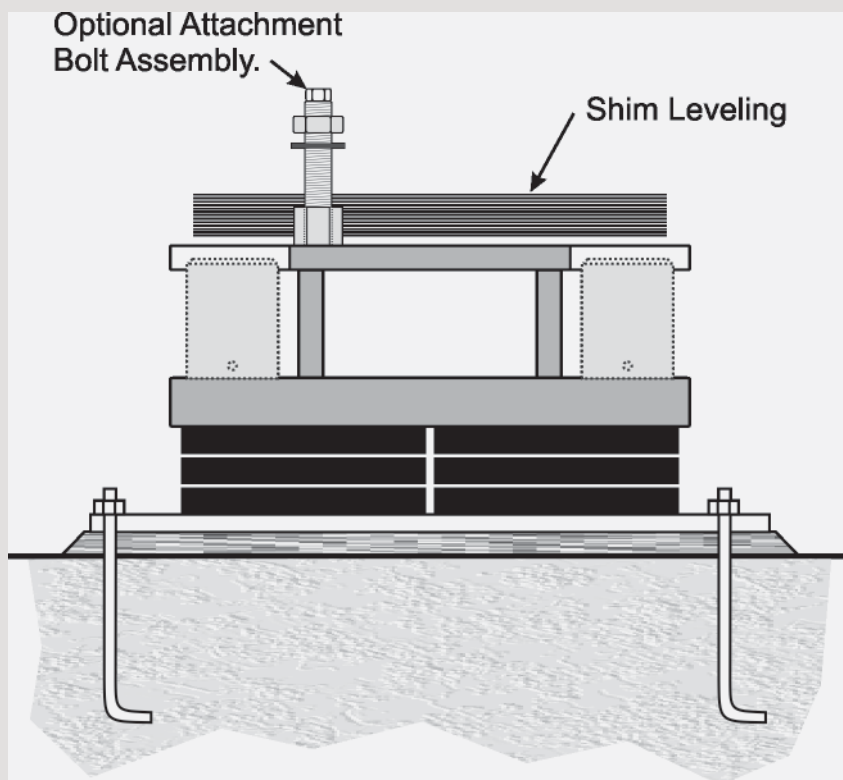
MXL and MXLP Elastomer Isolators



Features and Benefits

- Excellent isolation for effective control of vibration and shock.
- High-performance, multi-layer, modular elastomer construction.
- Hydra/Level® Assisted Leveling.
 - faster, easier leveling, alignment and elevation adjustment.
 - preventative maintenance insurance in the event of foundation settling.
- Integrated precision leveling.
 - more precise.
 - infinitely adjustable.
- Two degrees of swiveling capability.
 - uniform support.
 - eliminate foundation/grout/sole plates.

MXBP Press Isolation Elements



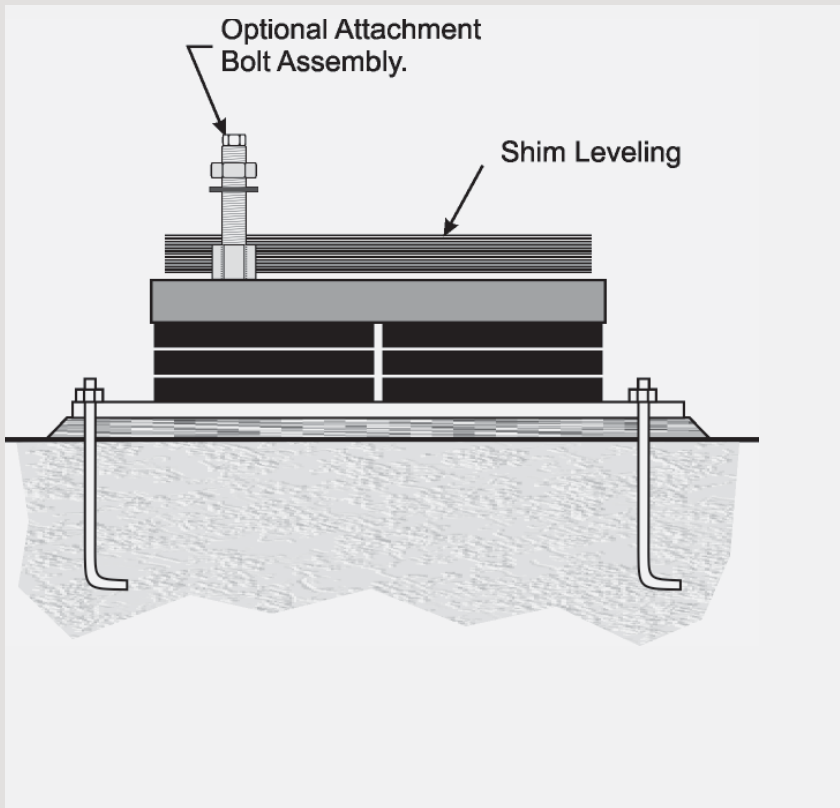
Features and Benefits

- High-performance, multi-layer, modular elastomer construction.
- Cylinder Pockets for hydraulic assisted leveling.
- Shim leveling using Vibro/Dynamics supplied metal shims and non-slip material.
- Large anchor bolts not required to keep press from walking.
- Grout or sole plates are recommended, but not usually required due to generous foundation tilt and slope tolerance of the Isolation Element.

Note: Hydraulic cylinders are optional accessories. (Supplied by Vibro/Dynamics or others.)

X and SV Press Isolation Systems

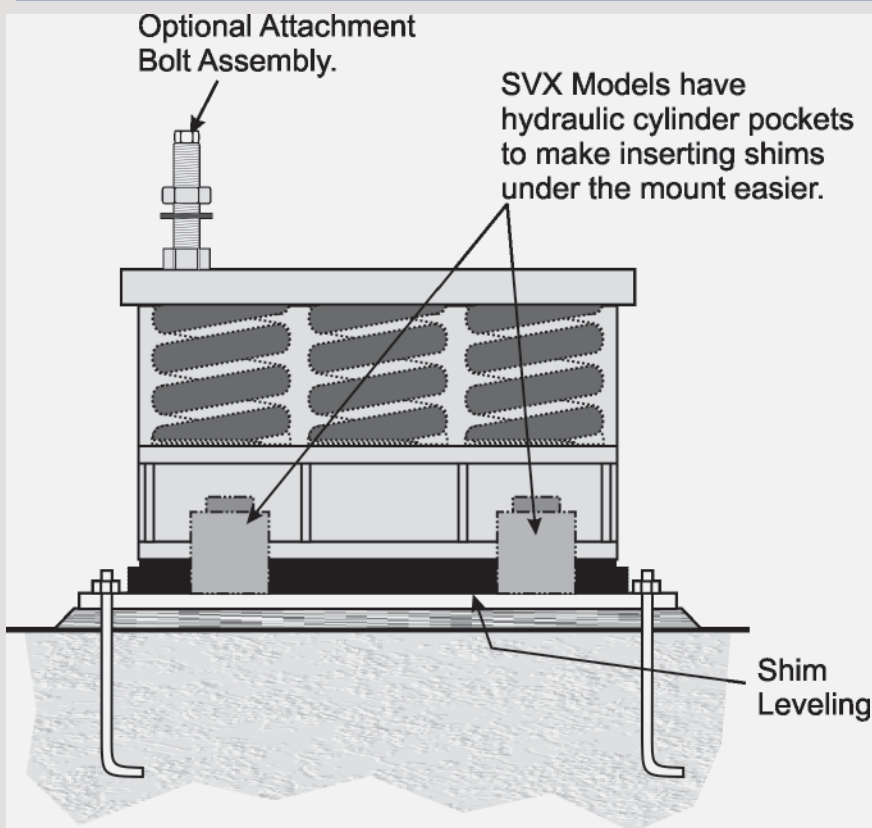
MXBN Press Isolation Elements



Features and Benefits

- High-performance, multi-layer, modular elastomer construction.
- Shim leveling using Vibro/Dynamics supplied metal shims and non-slip material.
- Large anchor bolts not required to keep press from walking.
- Grout or sole plates are recommended, but not usually required due to generous foundation tilt and slope tolerance of the Isolation Element.

SVX and SVXN Viscous Damped Spring Mounts



Features and Benefits

- Ultimate control of vibration and shock transmission.
- Shim leveling using Vibro/Dynamics supplied non-slip, jute material.
- Grout or sole plates are recommended.



A stamping press installation system that fits your needs!

Vibro/Dynamics specializes in the installation of large stamping presses on anchorless isolation systems that provide faster, easier installations. Both Elastomer and Coil Spring type isolation systems are available depending on your vibration and shock isolation requirements.

MX Systems are elastomer type mountings that provide excellent vibration isolation. Natural frequencies as low as 8 Hz are possible with the MX systems due to their unique multi-layer, modular elastomer design. MXL and MXLP models feature integral precision leveling combined with Hydra/Level® lift-assist capability, making leveling and alignment of even the heaviest presses accurate, fast and safe. MXBP and SVX mounts have hydraulic cylinder pockets to make leveling with shims easier.

SVX Hy/Tuned™ Spring isolators offer the highest degree of vibration and shock isolation available. These isolators are the perfect solution for high impact presses located in vibration sensitive or unstable soil areas.

Determine your needs and then choose from the high quality line of Vibro/Dynamics products.

Isolator Feature Matrix				
Feature/Benefit	MXL & MXLP Micro/Level® Isolators	MXBP Isolation Elements	MXBN Isolation Elements	SVX/SVXN Viscous Damped Spring Mounts
Leveling & Alignment	●●●●●●	●●	●●	●●
Installation Time	●●●●●●	●●	●●	●●
Vibration & Shock Isolation	●●●	●●●●	●●●●	●●●●●●●●
Preventative Maintenance	●●●●●●	●●●●●	●●●●	●●●●
Foundation Design	●●●●●●	●●●●	●●	●●
Cost Savings	●●●●●●	●●●●	●●	●●
Hardware Requirements				
Sole/Grout Plates	None	Recommended	Recommended	Recommended/Required
Grout	None	Recommended	Recommended	Recommended/Required
Anchor Bolts	None	Anchor bolts may be required if grout plates must be bolted down to concrete surface.		
Installation Time/Labor	Faster - Easier	Faster - Easier	Fast - Easy	Installation of grout plates, grouting, and cure requires additional time.
Grout Plate Installation	None	Recommended	Recommended	Recommended/Required
Grout Application & Cure	None	Recommended	Recommended	Recommended/Required
Anchor Bolt Layout & Installation	None	Anchor bolts may be required if grout plates must be bolted down to concrete surface.		
Leveling & Alignment	Built in leveling device makes leveling faster, easier and more	Leveling is accomplished using shims. The resiliency of the mounts make shimming easier than hard mounting. Hydraulic cylinder pockets make inserting shims easier.		
Hydraulic Level Assist	Yes	Yes	No	SVX - Yes / SVXN - No
Foundation Design	Anchorless, swiveling designs eliminate the need for anchor bolts and grout plates, resulting in a more simple foundation design. Only a brushed concrete surface is required.	Grout or sole plates are recommended, but usually not required since the MXBP and MXBN isolation elements have generous foundation flatness and slope tolerances.		Grout Plates are recommended. The plates also distribute the high concentrated load of the hydraulic cylinders on the foundation surface.

VIBRO/DYNAMICS Corporation
 2443 Braga Drive, Telephone: 708-345-2050
 Broadview, IL USA 60155-3941 Fax: 708-345-2225
 www.vibro-dynamics.com email: vibro@vibro-dynamics.com

Vibro/Dynamics, Micro/Level, and Hydra/Level are registered trademarks, and Hy/Damp™ and Hy/Tuned™ are trademarks of Vibro/Dynamics Corporation.

Vibro/Dynamics Products are protected by one or more U.S. and Foreign Patents.

